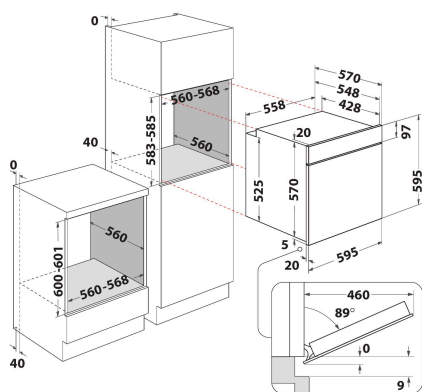


# IFW 6330 BL UK

12NC: F102674

GTIN (EAN) code: 8050147026748

**Indesit**  
Life proof.



## MAIN FEATURES

|                                       |                |
|---------------------------------------|----------------|
| Product group                         | Oven           |
| Commercial code                       | IFW 6330 BL UK |
| Main colour of product                | Black          |
| Construction type                     | Built-in       |
| Type of control                       | Mechanical     |
| Type of control settings              | -              |
| Are any hobs controls integrated?     | No             |
| Which kind of hobs can be controlled? | -              |
| Automatic programmes                  | No             |
| Current (A)                           | 13             |
| Voltage (V)                           | 220-240        |
| Frequency (Hz)                        | 50/60          |
| Length of Electrical Supply Cord (cm) | 100            |
| Plug type                             | UK             |
| Depth with open door 90 degree (mm)   | -              |
| Height of the product                 | 595            |
| Width of the product                  | 595            |
| Depth of the product                  | 551            |
| Minimum niche height                  | 0              |
| Minimum niche width                   | 0              |
| Niche depth                           | 0              |
| Net weight (kg)                       | 25.3           |
| Usable volume (of cavity)             | 66             |
| Integrated Cleaning system            | No             |
| Grids of the cavity                   | 1              |
| Trays                                 | 1              |

## TECHNICAL FEATURES

|   |                |
|---|----------------|
| Timer                                     | -              |
| Time control                              | Mechanical     |
| Time-setting options                      | Start and Stop |
| Safety device                             | -              |
| Interior light                            | Yes            |
| Number of interior lights of the cavity   | 1              |
| Position of interior lights of the cavity | Front left     |
| Oven guides of the cavity                 | Wall-embedded  |
| Probe of the cavity                       | No             |

## PERFORMANCES

|   |             |
|---|-------------|
| Energy input  | Electric    |
| Type of energy of the cavity  | Electricity |
| Energy efficiency class - NEW (2010/30/EU)                            | A           |
| Energy consumption per cycle conventional - NEW (2010/30/EU)          | 0           |
| Energy consumption per cycle forced air convection - NEW (2010/30/EU) | 0.79        |